

INNOVATIVE SOLUTIONS

 **Sprint
Waste Services**

The Sprint Difference

Sprint believes in supplying only the best quality equipment. As such, all Sprint tanker trailers are:

- Checked Annually For Structural Soundness And Barrel Integrity
- Includes Catwalk For Easy Access To Top Manway
- Equipped w/ Vapor Recovery, Thermometer, And Liquid Level Gauge

SS TANKER TRAILERS

These tanks are ideal for storing de-mineralized water, highly pure materials, more corrosive materials, and highly refined products. Stainless Steel Tank Trailers offer the highest degree of protection from contamination by impurities.

- Tanks equipped w/ vapor recovery line for easy connection
- Liquid level gauging
- Available Variants / Options: DOT 407 chemical trailers and 180 bbl crude trailers; both insulated and non-insulated



HOUSTON • BEAUMONT
CORPUS CHRISTI • BATON ROUGE

PHONE: 281-491-7775
WEB: WWW.SPRINTWASTE.COM



SS TANKER TRAILERS



SPECIFICATIONS

DOT 407 Chemical Trailer

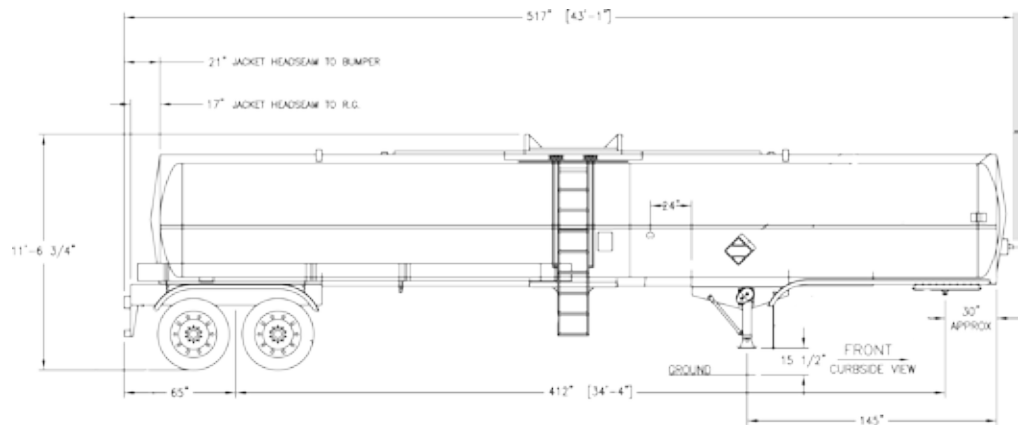
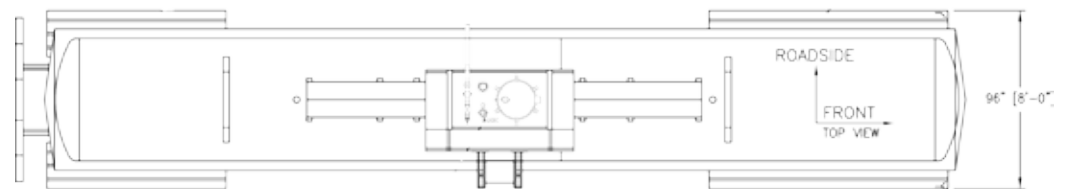
- Capacity: 7000 Gallons
- Empty Weight: 12,900 lbs
- Test Pressure: 45 PSI
- MAWP: 25 PSIG
- Max Operating Temperature: 300°F
- Shell Material: 316L Stainless Steel

Easy Access and Fill

- 20" full-opening manhole
- Outlet: 3" SS QRB Hydrolet valve with 90° threaded outlet; external valve w/ pump located at rear
- Full length steam heat, 304SS channels, 150 PSI design working pressure
- Hose Carrier: (2) 8"x21" aluminum hose tubes, mount one each side
- Vents: (1) 3" Girard pressure relief, (1) 3" Girard magnetic vacuum breaker
- Vapor Recovery: (1) 3"x2" tee style hydraulic valve coming off top inside spill dam and routed to rear of trailer via 2" line for easy connection
- Ladder: SS 18" wide with dimpled channel rungs, side handrails, platform type top step
- Insulation: 6" fiberglass compressed to 5"
- 2 3" cleanout nozzles
- DOT overturn protection at ends of spilldam and beyond each cleanout
- No baffles



DOT 407 Dimensions: 43' long, 11.5' high



HOUSTON • BEAUMONT
CORPUS CHRISTI • BATON ROUGE

PHONE: 281-491-7775

WEB: WWW.SPRINTWASTE.COM

Size	Weight (lbs)
7000 gal	12,900 - 13,150

 **Sprint
Waste Services**