

INNOVATIVE SOLUTIONS

 **Sprint
Waste Services**

The Sprint Difference

Sprint believes in supplying only the best quality equipment. As such, all Sprint roll off boxes are:

- Triple-Hinged
- Painted Inside, Outside and Underneath With Rust Inhibiting Acrylic Enamel Coat
- Equipped w/ Placard Holders
- Equipped w/ Heavy Duty Ratchets
- Equipped w/ Ladders on Driver Side for Easy Access

METAL LID BOXES

For your high VOC needs, Sprint Metal Lid Containers include:

- Neoprene foam around perimeter of lid provides vapor tight seal
- Lid is formed of 12 gauge steel
- Slight taper is built into lid to eliminate water collection
- Two-piece, end-to-end rolling lid
- Vacuum pressure release eases lid opening
- Spring loaded lids for easy release and greased wheels make the lids easy to slide open
- 20 and 25 cubic yard capacity available.



HOUSTON • BEAUMONT
CORPUS CHRISTI • BATON ROUGE

PHONE: 281-491-7775
WEB: WWW.SPRINTWASTE.COM



METAL LID BOXES



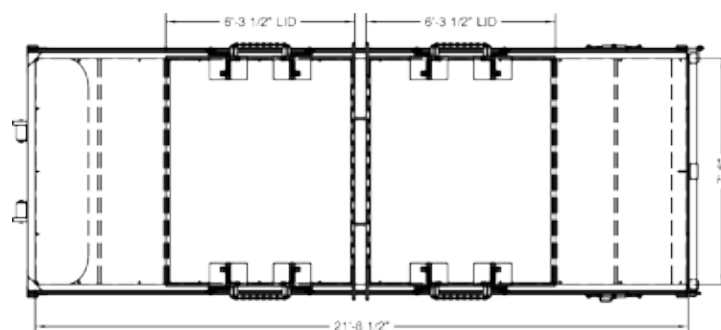
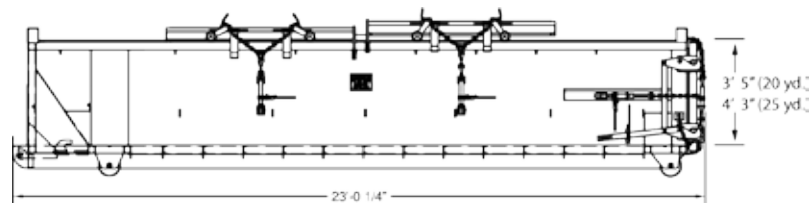
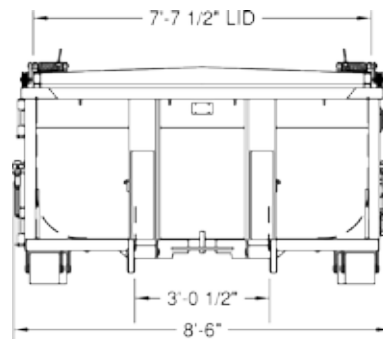
SPECIFICATIONS

Durable

- Outside rail understructure
- 1/4" floor, 7 gauge sides
- Front rails-6" x 2" x 3/16" rectangular channels
- Rails - 6" x 2" x 1/4" structural tubing
- Continuous inside welds
- 8" OD front and rear rollers
- Liner hooks inside box
- Top Lid Opens in two 7.5' Width x 6.1' Length sections
- 2 independent ratchet binders with chains / per Top Lid

Fully Sealed

- 7 gauge with 4" x 3" 1/4" structural tubing
- Back Door latch-side opening, three independent ratchet binders operate vacuum sealing
- EPDM extruded one-piece "T" gasket with 1" angle retainer clip
- Adjustable latches and hinges provide a full seal
- Hydro tested to prevent leakage



Applications

- For high VOC materials including, non-hazardous and hazardous material storage (wet or dry), liquid waste, sludge, slurry, fly ash, mud

Industries

- Oil and gas, pulp and paper, mining, automotive, power plants, steel mills

HOUSTON • BEAUMONT
CORPUS CHRISTI • BATON ROUGE

PHONE: 281-491-7775
WEB: WWW.SPRINTWASTE.COM

Size	Weight (lbs)
25 yard	7,470

 **Sprint
Waste Services**